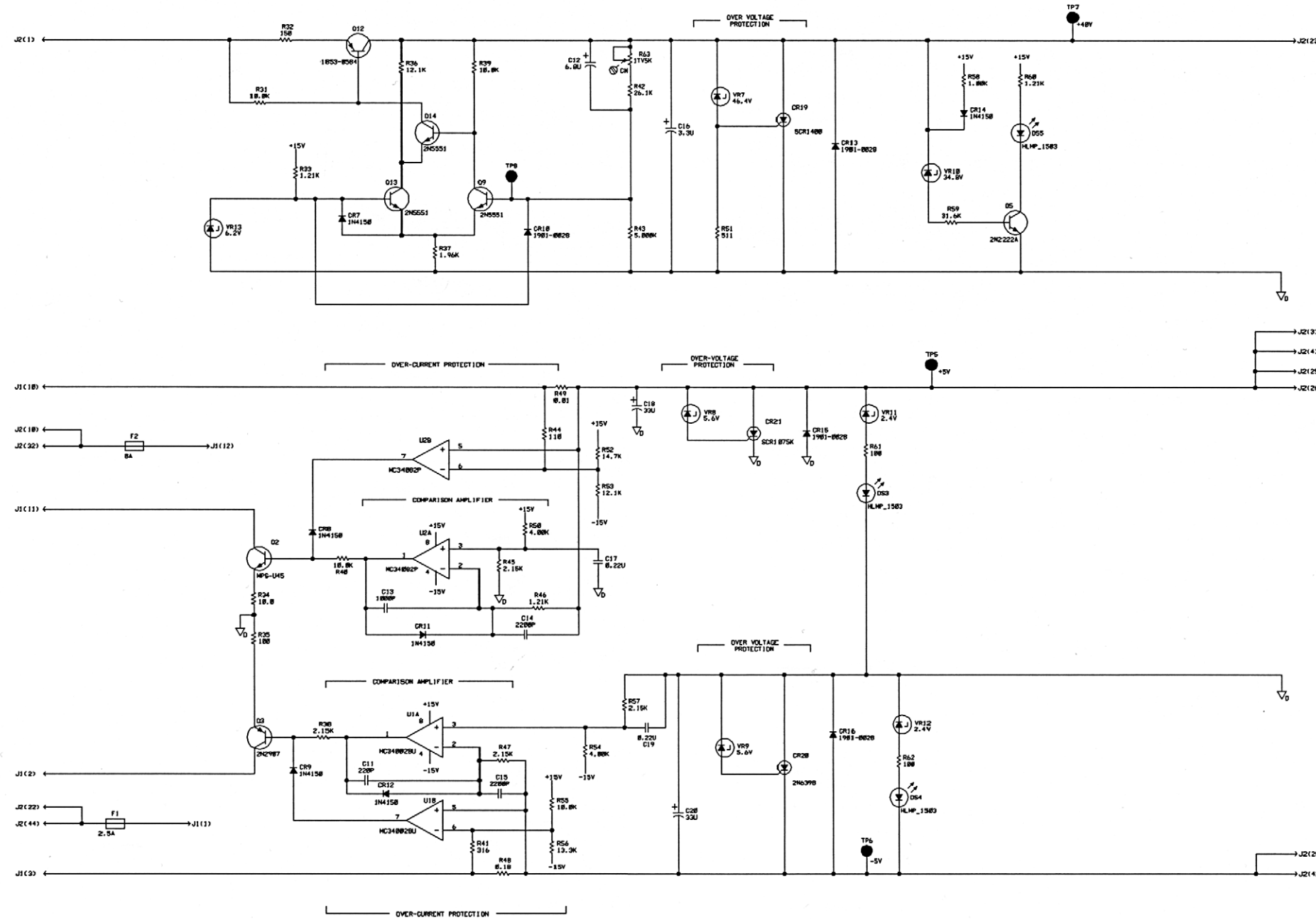


REV	REVISIONS	APPROVED	DATE
A	AS ISSUED PER PCD 10-6128	D. WHITCOMB/CAP	18/18/98
B	012 IS 1853-0584 PER PCD 10-7032	K. KASHI/CAP	05/07/92
C	02 IS 1854-1335 PER PCD 10-8522	R. BIEZE/BP	01/23/95



DO NOT SCALE THIS  
METRIC  
DRAWING

HP PROPRIETARY  
THIS DOCUMENT CONTAINS CONFIDENTIAL, PROPRIETARY INFORMATION THAT IS HEWLETT-PACKARD (HP) PROPERTY. DO NOT DISCLOSE TO OR DUPLICATE FOR OTHERS EXCEPT AS AUTHORIZED BY HP.

UNLESS OTHERWISE SPECIFIED		PART/MATERIAL-DESCRIPTION		MATERIAL-PART NO.		MATERIAL-ENG. NO.		MATERIAL-SPEC.	
* DIMENSIONS ARE IN MILLIMETRES	* THIRD ANGLE PROJECTION	ITEM	QTY.						
* TOLERANCES		DRAWN BY		DATE		TITLE		PART NUMBER	
XX-0.5 mm or +		CAROL PIROLO		07AUG90		SCHEMATIC		08901-60311	
XX-0.2 mm or +		ENGINEER/CHECKER		DATE		POWER SUPPLY		HEWLETT PACKARD	
XX-0.1 mm or +		DAVE WHITCOMB		07AUG90		REGULATOR ASSEMBLY			
ALL *		ENGINEER/CHECKER		DATE		TITLE			
		DAVE WHITCOMB		18OCT90		TITLE			
		RELEASE TO PROD.				SCALE		SHEET 2 of 2	
* ADHERENCE TO DWG A-0951-1501-1 (CO. STD. SECTION 600) REQUIRED		SUPERSEDES DWG.				SCALE		D-08901-60311-S	